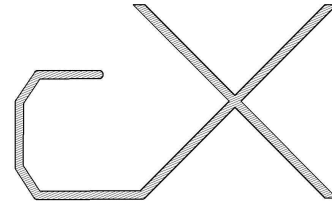


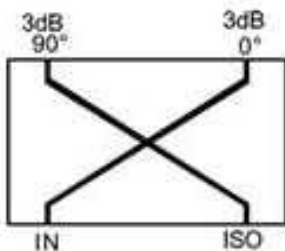
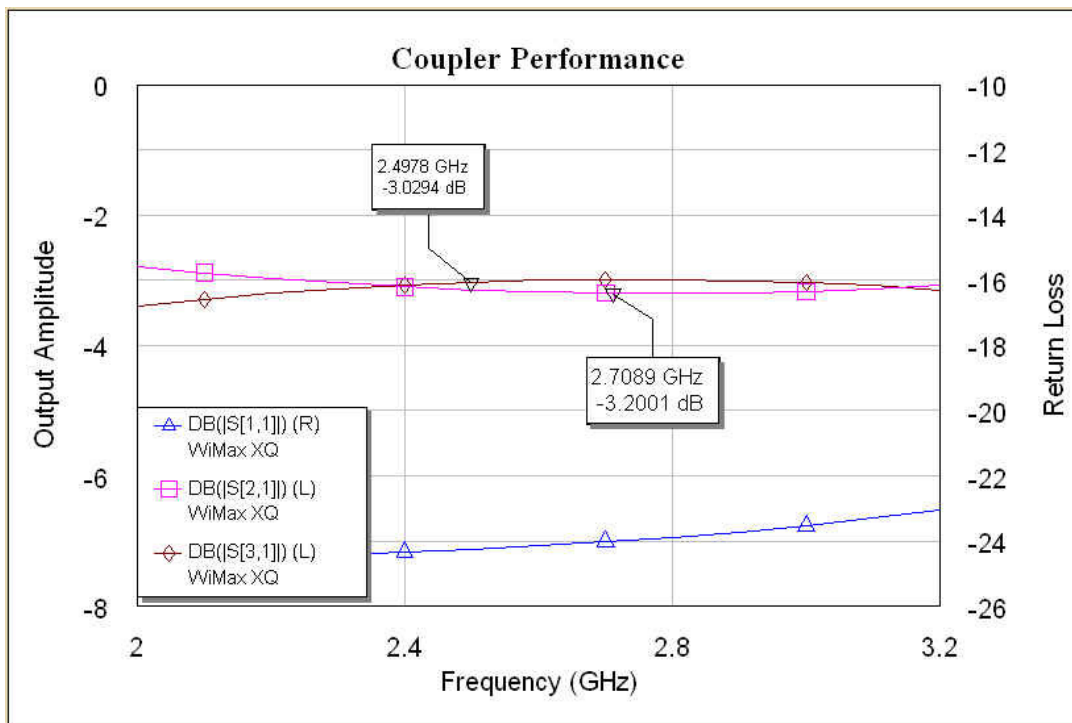
RF Conx-Com by Connectioneers



Data Sheet: Model 2650-3*

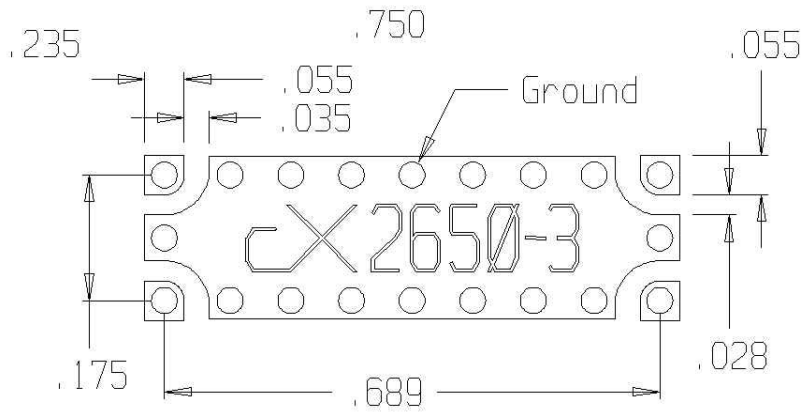
...When a tenth is too much

Model 2650-3* is a 3dB directional “Hybrid” coupler intended for low power operation ($\leq 30W$) in the 2.5 to 2.7GHz ‘WiMax’ frequency range. It offers extremely low loss in this band, typically 0.7dB or less. It is optimally coupled for outstanding phase and amplitude balance for use in balanced receive LNA’s. It offers optimum performance while surface mounted on PTFE based dielectric materials. As this part is constructed from this type of material, there is never a mismatch in CTE in any axis. Additionally, it is made in the USA from US materials. It is compliant to the RoHS directive and offers excellent solderability and compatibility with solder reflow processes to 260°C.



Connections in the Model 2650-3 are corner to corner, or cross coupled, for ease of use when designing balanced amplifiers.

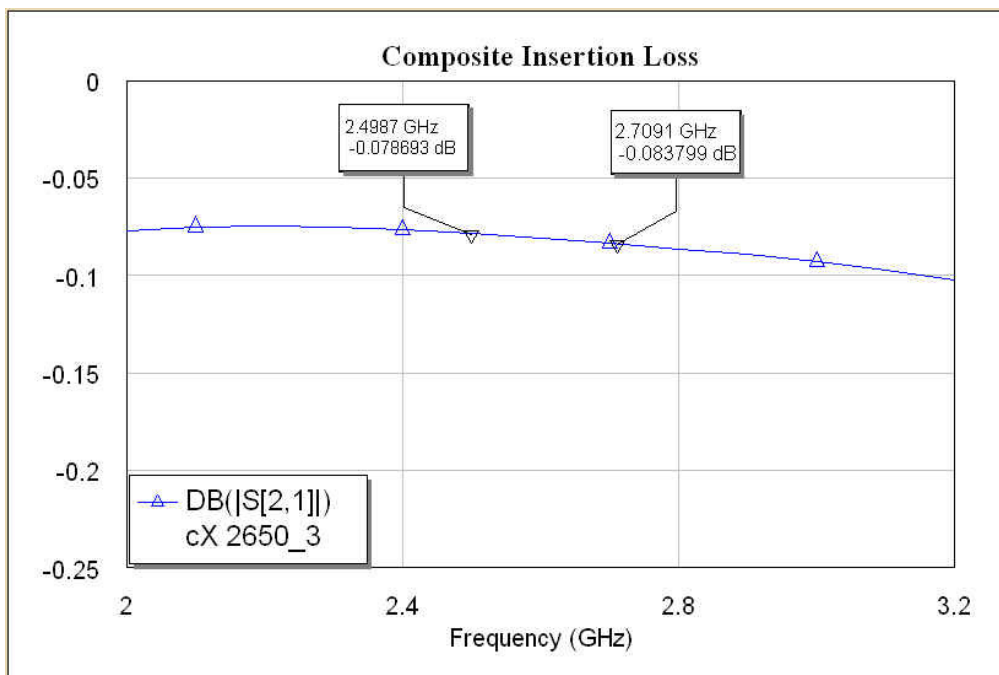
This connection method eliminates the need for Pin-1 identification or any polarity marking. The coupler will operate equally well while correctly installed in any orientation, even upside down. There is no top or bottom to this part and no connection identifiers.



While intended for use at 30W or less average RF Power, this part is expected to offer satisfactory performance to 100W or greater but is not warranted to do so until testing is complete. Should higher RF power be desired for this frequency range, please look at our Model 2650-3H.

Model 2650-3 Specifications:

- Frequency Range: 2.5-2.7GHz, US WiMax band
 - Amplitude Balance: 0.3dB max
 - Phase Balance: 3 Degrees, max
 - Insertion Loss: 0.080dB typ, 0.10dB max
 - Size: 0.75 Long X 0.235 Wide X 0.08 inches
 - Power Handling: 30W CW
 - Temperature range: -40 to +95°C operating
 - Finish: Electroless Silver
 - Solder shelf life: ≥1 year
 - Solder profile: RoHS compliant to 260°C for 20 seconds
 - Intended Application: WiMax transmit equipment to 30W average, WiMax receive LNA
 - Tape and Reel: Available in the near future
- Mounting details, Solder Mask and Screen dimensions are available upon request.



Contact: E-Mail - Couplers@connectioneers.com

Phone - (410) 740-6696

*Patent Pending.